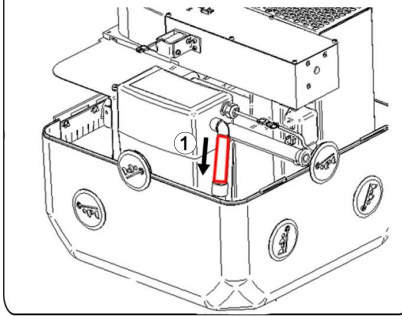
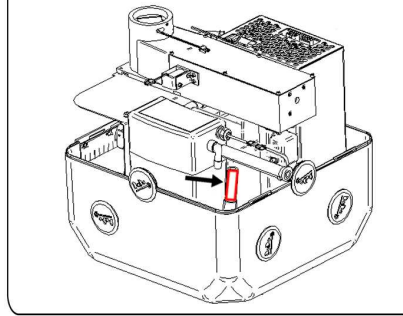


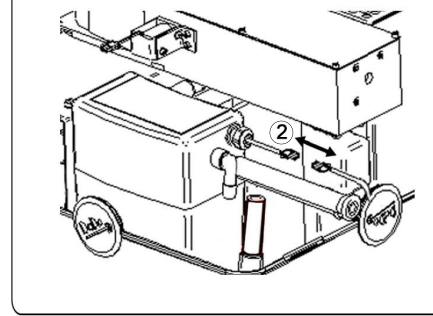
1 1. REMOVE THE TUBE



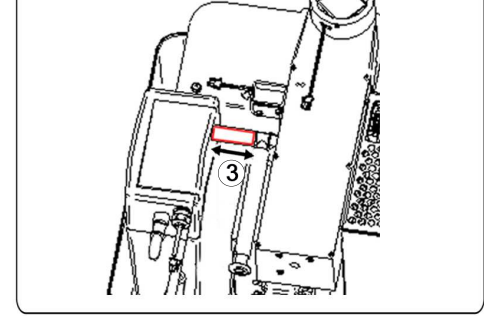
2



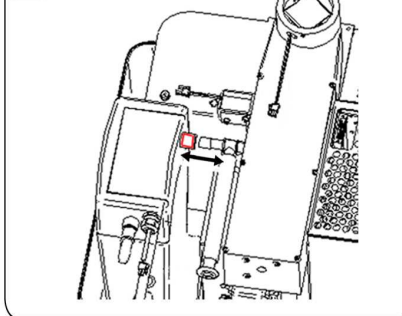
3 2. UNPLUG THE PLUG



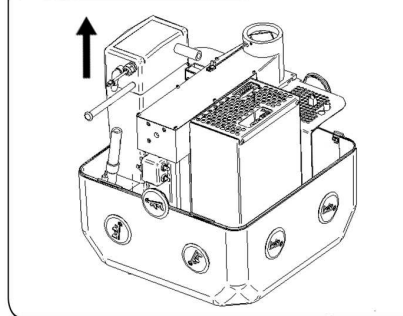
4 3. REMOVE THE TUBE



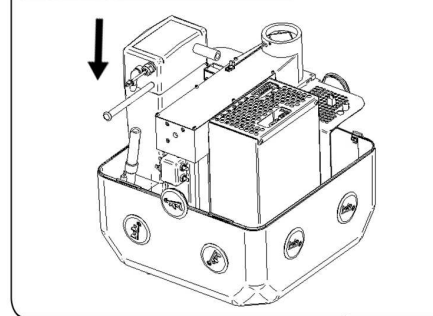
5



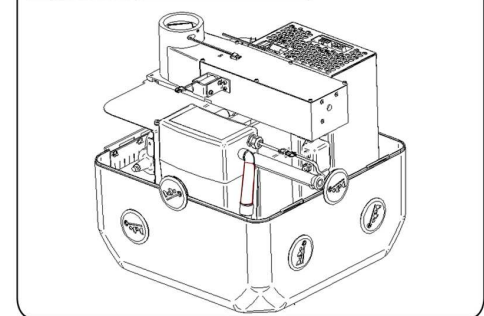
6 REMOVE THE TANK



7 INSERT THE NEW TANK



8 CONNECT ALL THE TUBES AND THE PLUG



BE CAREFUL ALL THE OPERATIONS MUST BE CARRIED OUT WITH THE MACHINE OFF (WITH THE PLUG UNPLUGGED)



VISIT WEBSITE FOR SUPPORT



DOWNLOAD APP FOR ANDROID



DOWNLOAD APP FOR IOS



USER MANUAL